



musikelectronic geithain

RL 904



Instructions for installation and use

Table of contents

1	Introduction	1
2	Disclaimer	2
3	System description	3
4	Basic information	4
4.1	Guidelines	4
4.2	Safety instructions	4
4.3	Unboxing	6
4.4	Delivery contents	6
4.5	Cleaning	6
4.6	Environmental conditions	6
4.7	Guarantee acknowledgements	6
5	Positioning	7
5.1	Positioning near walls	7
5.2	Stereo operation	8
5.3	Surround operation	9
6	Set-up the speakers	10
6.1	Mains connection	10
6.2	Cable connection	10
6.3	Adjustment controller	11
6.4	Status indication	11
7	Specifications	12
8	Acoustic measurements	13
9	Notes	14

1 Introduction

Dear customer,

Thank you for the trust you have put in us by buying these speakers. You decided upon a quality product that in regard to tonal and technical characteristics complies to the utmost expectations.

The usual burn-in period is not required, because the speakers are artificially aged in-house.

Please read the technical description and manual to take advantage of the capabilities of these speakers and ensure safe operation.

2 Disclaimer

Technical data and appearances are subject to changes without notice. Errors and omissions excepted. Musikelectronic Geithain GmbH assumes no liability for any loss which may be suffered by any person who relies either wholly or in part upon any description, photograph or statement contained herein. Musikelectronic Geithain GmbH products are sold through authorized fulfillers and resellers only. Fulfillers and resellers are not agents of Musikelectronic Geithain GmbH and have absolutely no authority to bind Musikelectronic Geithain GmbH by any express or implied undertaking or representation. This manual is copyrighted. No part of this manual may be reproduced or transmitted in any form or by any means, electronic or mechanical, including photocopying and recording, or by any information storage or retrieval system without the prior written permission of Musikelectronic Geithain GmbH.

All rights reserved

Copyright © 2018 Musikelectronic Geithain GmbH

3 System description

The RL904 is an all purpose main loudspeaker for middle sized or smaller audio-, video- and film production studios. The coaxial configuration of the driver units delivers a sound stage with outstanding authenticity and consistency of imaging. With the directivity index optimized for mid-distance monitoring, an excellent stage depth with smallest possible coloration is achieved. Non-linear distortion remains small even at high sound pressure levels. The bass reflex system obtains a low-frequency cut-off at 40Hz and provides a high degree of sound accuracy. We designed the whole system to achieve an optimum group delay.

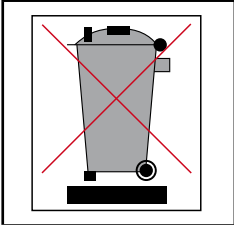
The two channel amplifier with an electronic crossover is integrated into the back of the enclosure and is hinged for service purposes. An intermittent flashing LED indicates when the level reaches the system overload threshold. If the maximum level is exceeded continuously, the output level is attenuated by 20dB to protect the components from damage. Two gapless variable low frequency controls provide separate adjustment of two frequency bands to enable the frequency response to be matched to the acoustic environment of the listening room.

A variety of special stands and racks are available as accessories. According fixing elements are integrated into the loudspeaker cabinet.

4 Basic information

4.1 Guidelines

This product complies to requirements of current European and national guidelines (2004/108/EG Electromagnetical Compatibility). The conformity is ascertained, corresponding declarations and records are deposited with the manufacturer.



Products built by us belong to B2C-class of the WEEE guidelines and must not be disposed with domestic waste.

4.2 Safety instructions

Like using any other electrical device you should observe the following operation guidelines, safety instructions and warning signs to ensure optimum functionality and safety of operation!

- ✦ Read these instructions carefully.
- ✦ Keep these instructions during the life cycle at a safe place. The instructions are an important part of the product.
- ✦ Heed all warnings. Follow all instructions.
- ✦ The product may only be used in accordance with the information provided in the user manual. Before and during the usage of the amplifier please ensure that all recommendations, especially the safety recommendations in the user manual, are adhered to.
- ✦ Do not place this product on an unstable cart, stand, tripod, bracket, or table. The product may fall, causing serious injury, and damage to the product.
- ✦ The heat sink must not be blocked or covered. This product should not be installed unless proper ventilation is provided or manufacturer's instructions have been adhered to.
- ✦ Do not install the device near any heat sources.
- ✦ Do not expose the device to direct sun radiation.
- ✦ Do not install the device in rooms with high humidity.
- ✦ Do not try to insert anything into device openings.
- ✦ The device shall not be exposed to dripping or splashing and no objects filled with liquids shall be placed on the device.
- ✦ Clean only with dry or slightly moistened cloth.
- ✦ Protect the power cord from being walked on, pinched or damaged in any other way. Pay particular attention to plugs and the point where they exit the device.

- ◀ Do not attempt to service this product yourself as opening or removing cover may expose you to dangerous voltage or other hazards.
- ◀ Refer all servicing to qualified service personnel.

4.3 Unboxing

The speakers are shipped in proper condition. Unpack the speaker carefully and check for visible damages. In case of damages report them to your retailer. Keep the packaging, in case the speaker has to be transported in the future.

4.4 Delivery contents

- ◀ Speaker RL904
- ◀ Mains cable
- ◀ Technical description and user manual

4.5 Cleaning

The speaker is made of real wood veneer and needs to be nurtured in the same way as furnishings. We advise quality wax polish to ensure durability of the veneer. Surfaces can also be cleaned with tidy, slightly dampened, fuzz-free, smooth cloth.

4.6 Environmental conditions

Ensure the following environmental conditions in your listening room:

- ◀ Operating temperature +15 °C ... +35 °C (+59 °F ... +95 °F)
- ◀ Storage temperature range -25 °C ... +45 °C (-13 °F ... +113 °F)
- ◀ Relative humidity 45 % ... 75 %

4.7 Guarantee acknowledgements

Opening the device by unauthorized personnel leads to all claims under guarantee expire. In case of destruction by overload, misuse or outside influences there are no claims under guarantee.

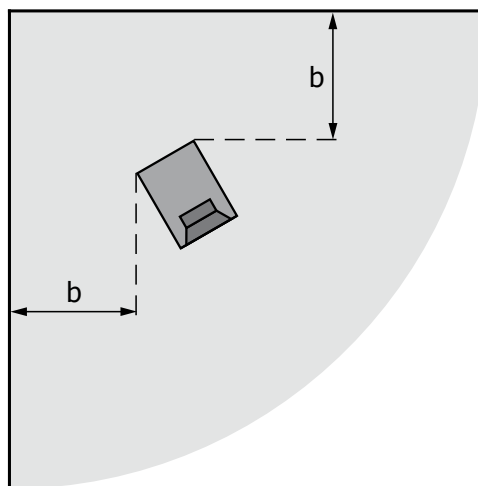
5 Positioning

Our speakers do not impose special requirements neither in stereo nor in multichannel set-ups. Nonetheless speaker positioning has influence on listening impression because every room is individually designed and furnished. The following advices are just guidelines that ease proper positioning. In addition we offer a measurement service to take advantage of the capabilities of your listening environment.

5.1 Positioning near walls

When speakers are installed near walls sound quality is physically affected. Every customary speaker behaves as a punctual sonic source in the low frequency range, with sonic waves spherical radiated without any constructional measures. Back wall reflections are unavoidable.

For optimum listening experience a minimum distance of 50 cm (19.7") to walls and furniture should be ensured. Avoid corner installations because unwanted bass accentuation could arise.

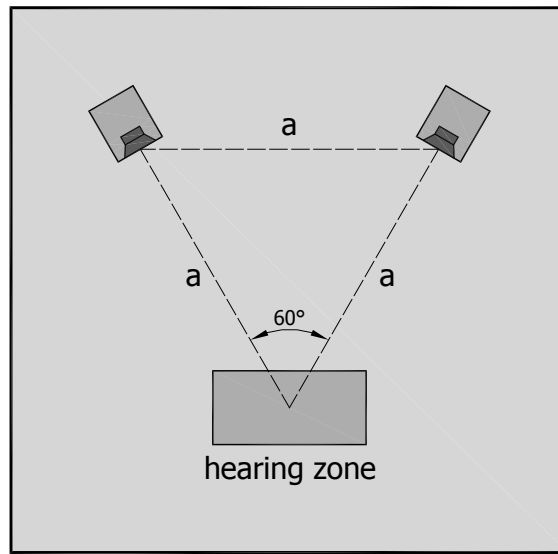


◀ Minimum distance to wall

$b \geq 50 \text{ cm (19.7")}$

5.2 Stereo operation

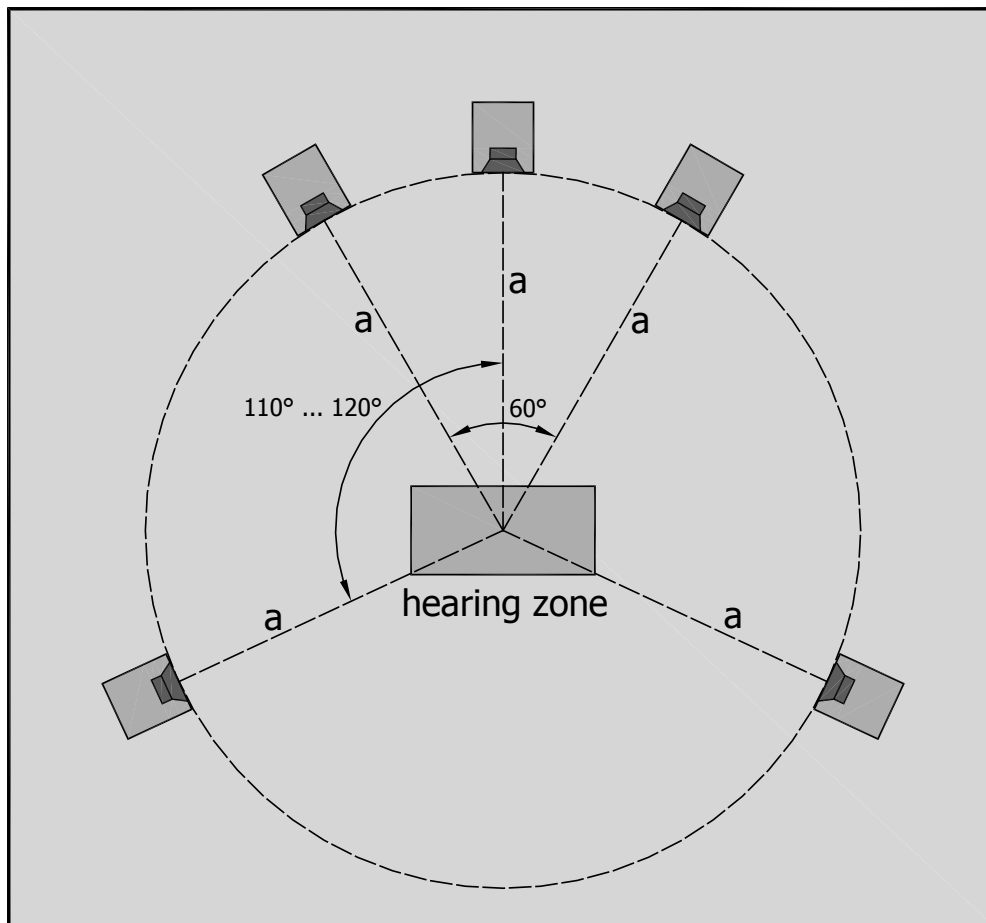
The optimum position of the speakers in your listening environment is the so-called stereo triangle (see figure). The base distance between the speakers and the distance to the hearing zone form an equilateral triangle (stereo triangle). A distance less than 1.5m (4'11") or more than 2.5m (8'2") should be avoided. For precise, spacial reproduction turn the speakers inside, directed to the hearing zone.



- ◀ Distance between speakers and your listening position $a = 1.5\text{m} \dots 2.5\text{m}$ (4'11" ... 8'2")
- ◀ Adjust the speaker horizontally to the height of the ear at the listening position

5.3 Surround operation

In surround operation the stereo triangle (see Stereo operation) is extended to a circle. The hearing zone is the centre of this circle. Position all speakers in the same distance to the hearing zone. The centre speaker is positioned in the middle between both front speakers. Pay attention to positioning the front and rear speakers horizontally along one plane. The angle between centre and rear speakers should be about 110° – 120° .



- ◀ Distance between speakers and your listening position $a = 1.5\text{ m} \dots 2.5\text{ m} (4'11'' \dots 8'2'')$

In case installation in the prescribed way is not possible in your listening room most decoding devices allow adjustments of single speakers.

6 Set-up the speakers

In this chapter we inform you how to connect your speakers to mains and your signal source. Ensure that the mains switch on the backside is in position "OFF". Only when your speaker is completely connected (see chapters 6.1 and 6.2) you can take the device into operation by use of the mains switch.

The speaker can be connected to every common pre-amplifier ($U_a = 1V \dots 5V$; $R_i < 600\Omega$).

6.1 Mains connection

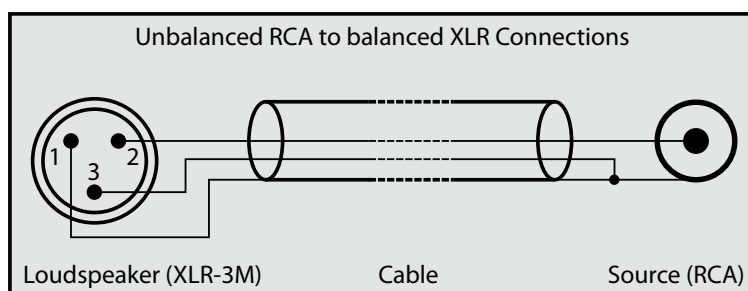
Before start-up check the mains voltage stated on the backside of the device. If your local mains voltage does not match the specification of the speaker, please refer to your retailer or direct distribution. When the stated and your local mains voltage comply connect the mains connector of the speaker to the socket with the included mains cable.

6.2 Cable connection

The input of the integrated amplifier is electrically balanced. When your signal source also utilizes balanced connectors, please use a cable wired as stated in the table:

	Balanced connector (amplifier)	Balanced connector (signal source)	Unbalanced connector (signal source)
	XLR	XLR	RCA
Earth	Pin 1	Pin 1	Ring
Signal +	Pin 2	Pin 2	Tip
Signal -	Pin 3	Pin 3	Ring

When using a signal source with unbalanced outputs (RCA) you need to balance the connecting cables. This avoids hum and other noise interferences. The table and the following figure show the wiring.



6.3 Adjustment controller

The "Level" controller is used for level adjustment over the full frequency range.

6.4 Status indication

The two-coloured LED at the front of the speaker is used as status indicator of the device.

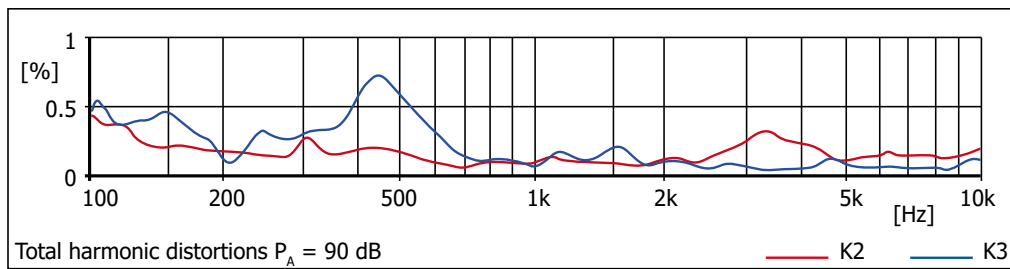
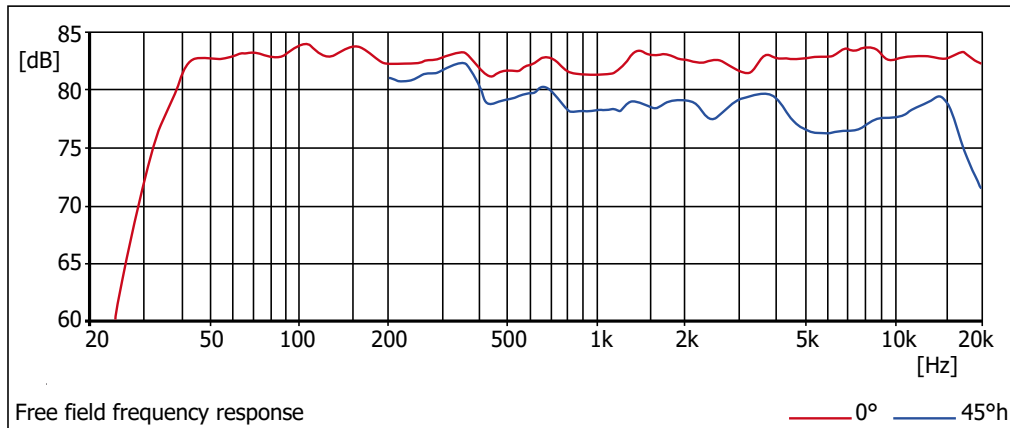
- ◀ LED green: indicates normal operation of the device
- ◀ LED red: indicates the operation of the overload protection circuit;
Output power limitation to protect the components from overloading

7 Specifications

General	Active 2-way monitor for use in small and middle audio-, video production studios, in mobile broadcast vans, and for multi-channel and near-field purposes 1.5 m (4'11") and 2.5 m (8'2")
Maximum SPL from 100 Hz ... 6 kHz	106 dB ... 112 dB / r = 1 m (3'3") (4π)
Bandwidth	40 Hz ... 20 kHz ±3 dB
Calibration:	
Acoustic output level / $P_E = -14$ dBu	83 dB / r = 1 m (3'3")
Directivity index from 100 Hz ... 10 kHz	increasing from 1 dB to 8 dB
Inherent noise sound level	≤ 7 dB(A) / r = 1 m (3'3")
Total harmonic distortion measured at 96 dB _{SPL} / r = 1 m (3'3") from 100 Hz ... 10 kHz	≤ -40 dB
Nominal input level	+6 dBu (adjustable)
Input impedance	≥ 10 kΩ RC balanced
Electronic crossover frequency	2.5 kHz
Nominal output power of the amplifier	
LF	150 W / 4 Ω
HF	100 W / 4 Ω
Input connector	XLR 3F
Drive units	
Woofer	1 × 160 mm (6.5") cone
Tweeter	1 × 25 mm (1") dome
Operation and clipping indicator	LED on front
Power requirements	230 V ~ ±10%, 50 Hz ... 60 Hz 115 V ~ ±10%, 50 Hz ... 60 Hz (optional) 100 V ~ ±10%, 50 Hz ... 60 Hz (optional)
Power consumption	20 VA when idle max. 160 VA at full load
Mains connection	IEC power connector
Environmental conditions	
for use	+15 °C ... +35 °C (+59 °F ... +95 °F)
for storage	-25 °C ... +45 °C (-13 °F ... +113 °F)
humidity	45 % ... 75 %
Dimensions (H × W × D)	398 mm × 254 mm × 345 mm (15.7" × 10" × 13.6")
Weight	16 kg (35.3 lbs)
Design of the cabinet	MDF wood in ash black veneered; different veneers and colours on request
Lateral mounting	with lateral mounting; without lateral mounting on request

8 Acoustic measurements

All acoustic measurements are carried out under anechoic conditions with 1 m (3'3") distance.



9 Notes

BDA_RL904_25.05.2018_ENV17



musikelectronic geithain gmbh

STUDIO MONITORING - HIGHEND LOUDSPEAKER - SOUND REINFORCEMENT
SYSTEMS SYSTEMS

Nikolaistraße 7
04643 Geithain / Germany

Phone: +49 (0) 34341 3110
Fax: +49 (0) 34341 31144

Email: info@me-geithain.de

www.me-geithain.de