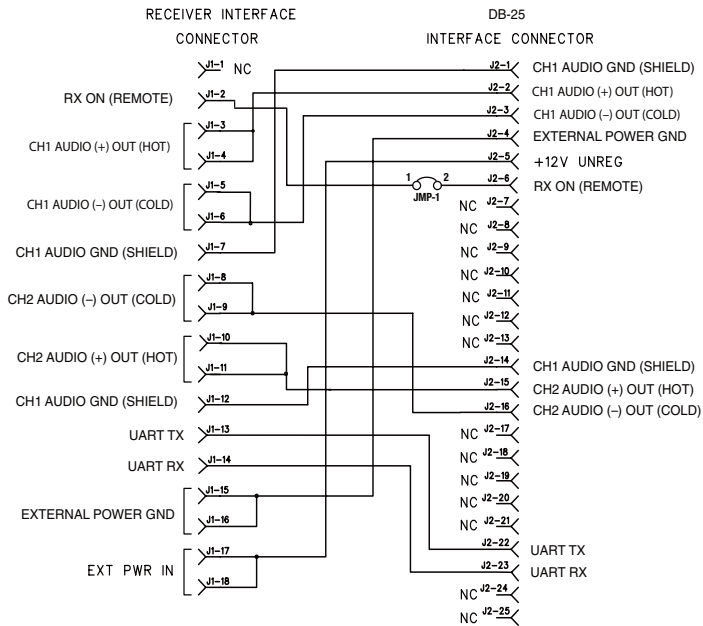


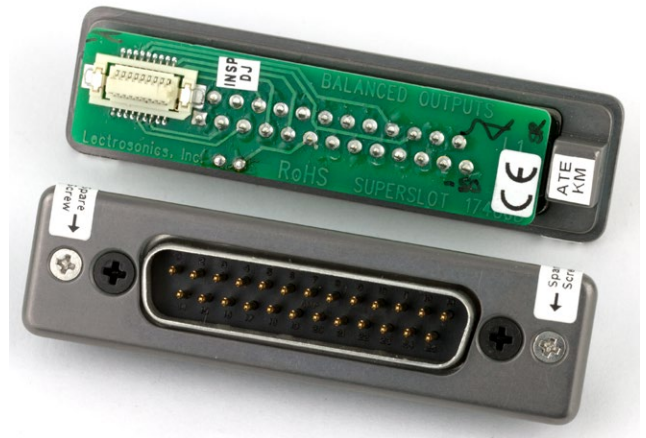
Superslot/Unislot Adapter

SRDB25 - PINOUT



The SRDB25 adapter is compatible with SR Series Receivers including:

- Octopack
- Quadpack
- Duopack
- Cameras with Unislot connection
- Superslot compatible



Spare screws are supplied with the adapter.

The adapter is retained by two screws through the side panel of the housing, making it easy to install.

Power and audio connections are made through mating connectors on the adapter and receiver main circuit boards.

